


## Style 1750 - Leather Belt

Our quality leather belt is a perfect accessory to our pant styles 671, 3610, 611 and 612.

- Made with durable leather
- Leather is inherently flame resistant
- Fastens with FR VELCRO®, easily adjustable, tear-away style
- Absence of buckles prevents electrical arcing, static shock, snagging, and other potential workplace hazards in various industries such as electrical and oilfield
- Airport security compliant

STOCK COLOURS:

	<b>BLACK</b>
	<i>Part No. 1750-30 [SIZE]</i>
	<b>1750-3034</b> (fits waist size 32-34)
	<b>1750-3038</b> (fits waist size 36-38)
	<b>1750-3042</b> (fits waist size 40-42)
	<b>1750-3046</b> (fits waist size 44-46)
	<b>1750-3050</b> (fits waist size 48-50)



STOCK SIZES:

32-34	36-38	40-42	44-46	48-50
-------	-------	-------	-------	-------

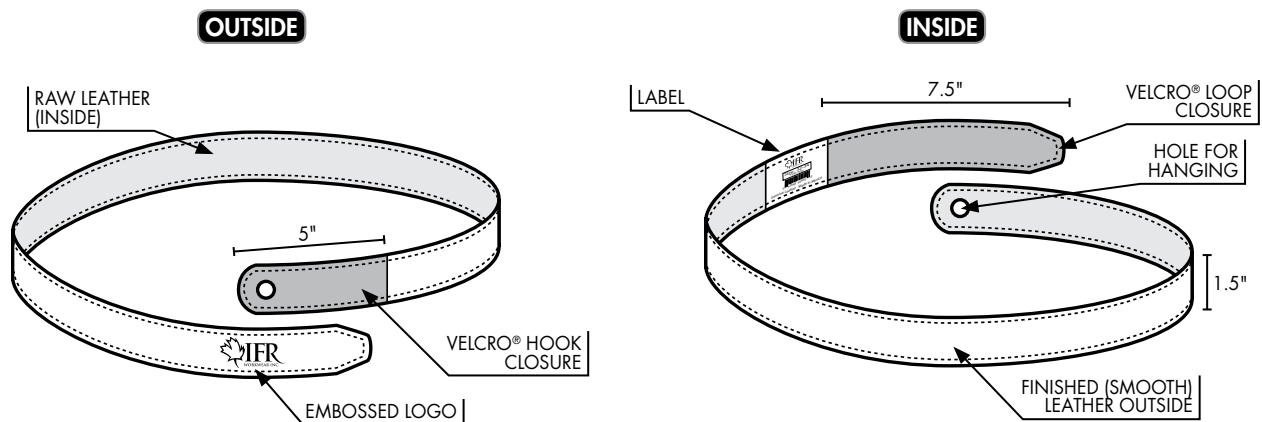
*Pairs Perfectly:*

Style 671 - Women's Cargo Pants

Style 3610 - Avenger Duck Pants

Style 611 - UltraSoft® Cargo Pants

Style 612 - UltraSoft® Cargo Pants



THE TRUSTED LEADER IN QUALITY FLAME AND ARC RESISTANT WORKWEAR

[www.ifrworkwear.ca](http://www.ifrworkwear.ca) | 403-347-5480 | [info@ifrworkwear.ca](mailto:info@ifrworkwear.ca)